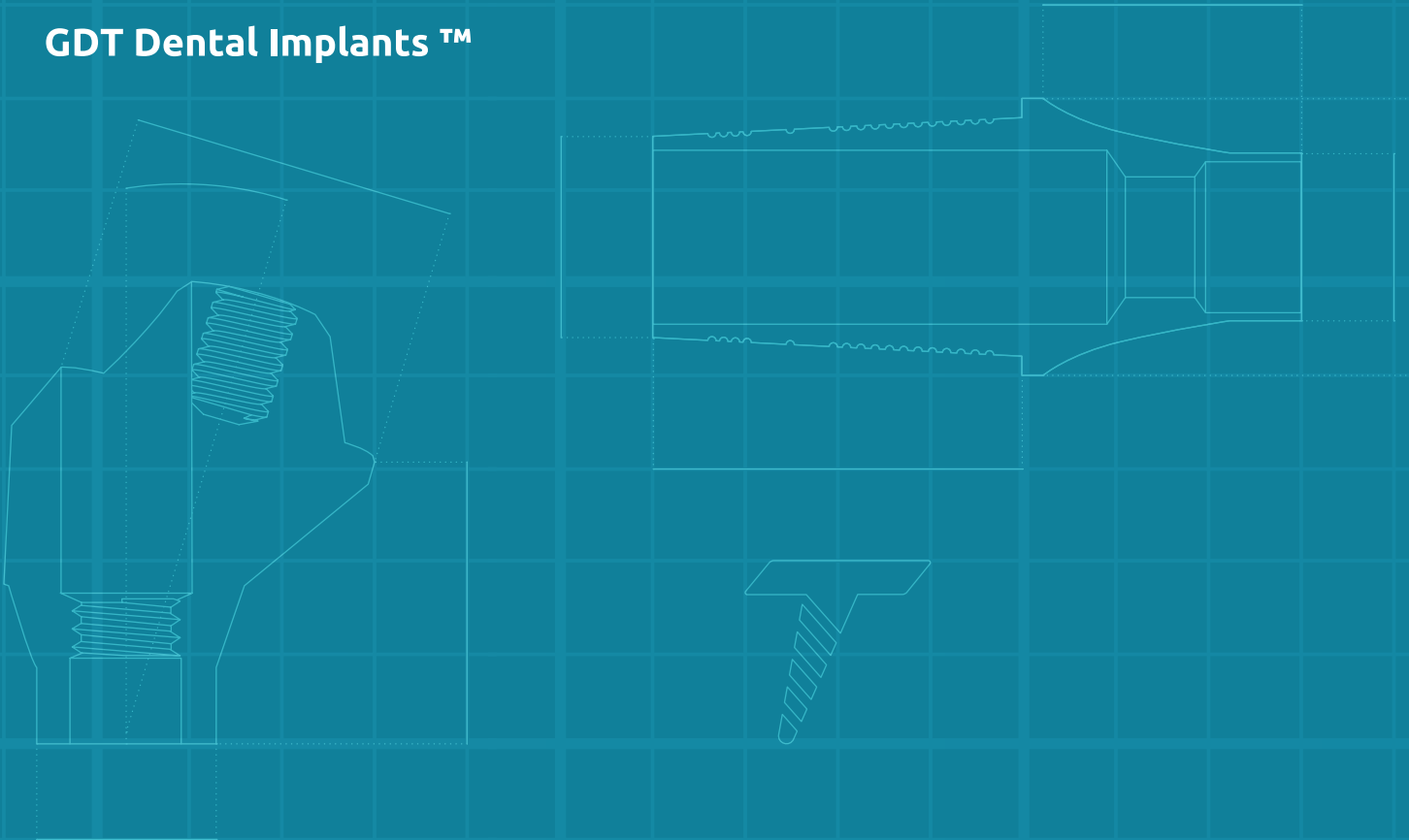


GDT Dental Implants™



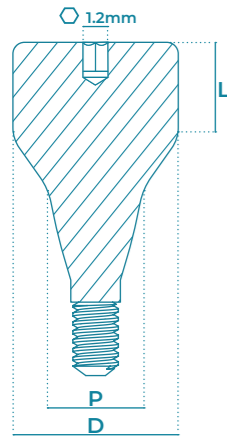
OSSTEM® / HIOSSEN® Compatible Abutments



HEALING CAPS

Designed to facilitate the healing process of both soft and hard tissues surrounding the implant. The Healing Caps not only protect the implant from the accumulation of plaque and debris, but also aid in shaping the gumline for optimal aesthetics.

MATERIAL: Ti-6Al-4V ELI (Titanium Grade 5) **TORQUE TIGHTENING:** 10 Ncm (Recommendation)

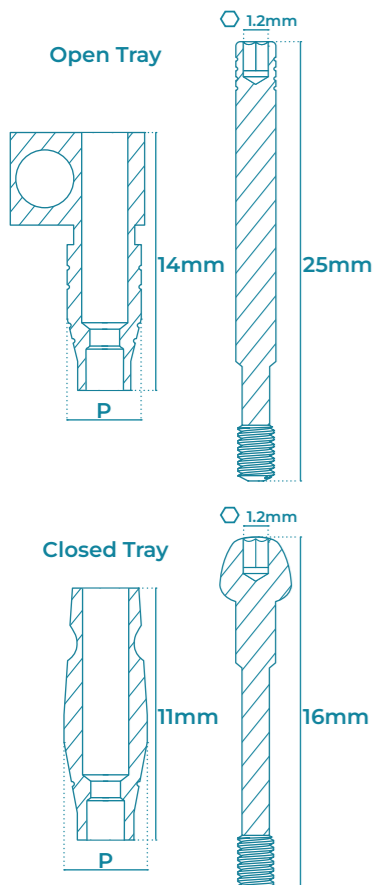


Mini Platform					Platform - Ø2.1mm Diameter - Ø4.5mm
L	2mm	3mm	4mm	5mm	6mm
CODE	OS-HC2-M	OS-HC3-M	OS-HC4-M	OS-HC5-M	OS-HC6-M
Regular Platform					Platform - Ø2.5mm Diameter - Ø4.5mm
L	2mm	3mm	4mm	5mm	6mm
CODE	OS-HC2-R	OS-HC3-R	OS-HC4-R	OS-HC5-R	OS-HC6-R

IMPRESSION COPING TRANSFERS

Made for impressions, using the open-tray technique when the retentions are sharpened, and for the closed-tray technique when the retentions are rounded.

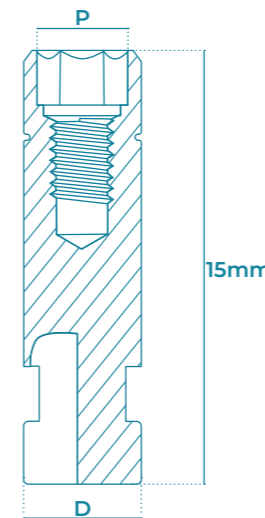
MATERIAL: Stainless Steel **PACKAGED WITH:** Guide Screw



Mini Platform		Platform - Ø2.1mm
TYPE	Closed Tray	Open Tray
P	Ø2.1mm	
CODE	OS-STRC-M	OS-STRO-M
Regular Platform		Platform - Ø2.5mm
TYPE	Closed Tray	Open Tray
P	Ø2.5mm	
CODE	OS-STRC-R	OS-STRO-R

IMPLANT ANALOGS

MATERIAL: Stainless Steel



Mini Platform		Regular Platform
D	Ø3.5mm	Ø4mm
P	Ø2.1mm	Ø2.5mm
CODE	OS-ANG-M	OS-ANG-R

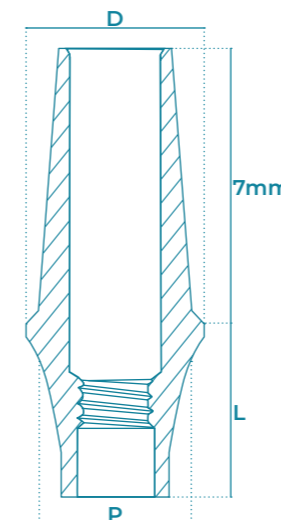
STRAIGHT ABUTMENTS

Straight Abutments create a tight seal and strong connection to the implant. Stable and trauma reducing during restoration placement.

MATERIAL: Ti-6Al-4V ELI (Titanium Grade 5)

PACKAGED WITH: Abutment Fixation Screw

TORQUE TIGHTENING: Mini - 30 Ncm | Regular - 35 Ncm (Recommendation)



Mini Platform				Platform - Ø2.1mm Diameter - Ø4.5mm
L	1mm	2mm	3mm	4mm
CODE	OS-SAS1-M	OS-SAS2-M	OS-SAS3-M	OS-SAS4-M
Regular Platform				Platform - Ø2.5mm Diameter - Ø4.5mm
L	1mm	2mm	3mm	4mm
CODE	OS-SAS1-R	OS-SAS2-R	OS-SAS3-R	OS-SAS4-R

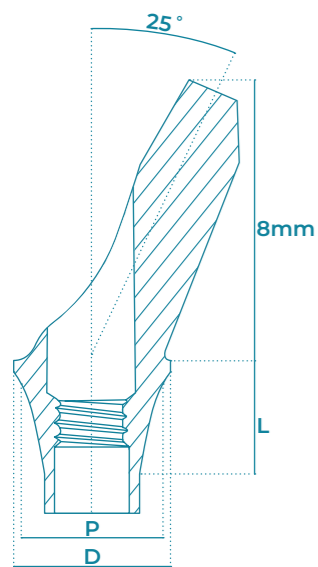
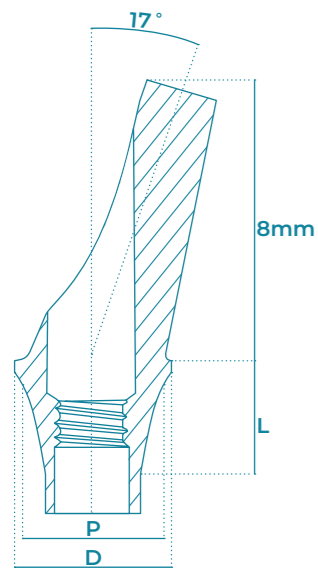
ANGULATED ABUTMENTS

Can be used in a single tooth, and partially or totally edentulous situations. Used in the fabrication of Cement-retained restorations, single crowns, or bridges, and can be used in unparalleled implant placement cases for angle compensation.

MATERIAL: Ti-6Al-4V ELI (Titanium Grade 5)

PACKAGED WITH: Abutment Fixation Screw

TORQUE TIGHTENING: Mini - 20 Ncm | Regular - 30 Ncm (Recommendation)



Mini Platform 17°		Platform - Ø2.1mm Diameter - Ø4.5mm			
L		1mm	2mm	3mm	4mm



CODE	OS-ATA1701-M	OS-ATA1702-M	OS-ATA1703-M	OS-ATA1704-M
------	--------------	--------------	--------------	--------------

Regular Platform 17°		Platform - Ø2.5mm Diameter - Ø4.5mm			
L		1mm	2mm	3mm	4mm



CODE	OS-ATA1701-R	OS-ATA1702-R	OS-ATA1703-R	OS-ATA1704-R
------	--------------	--------------	--------------	--------------

Mini Platform 25°		Platform - Ø2.1mm Diameter - Ø4.5mm			
L		1mm	2mm	3mm	4mm

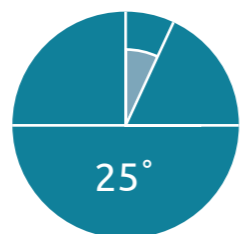
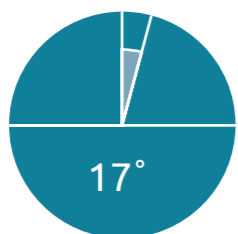


CODE	OS-ATA2501-M	OS-ATA2502-M	OS-ATA2503-M	OS-ATA2504-M
------	--------------	--------------	--------------	--------------

Regular Platform 25°		Platform - Ø2.5mm Diameter - Ø4.5mm			
L		1mm	2mm	3mm	4mm



CODE	OS-ATA2501-R	OS-ATA2502-R	OS-ATA2503-R	OS-ATA2504-R
------	--------------	--------------	--------------	--------------



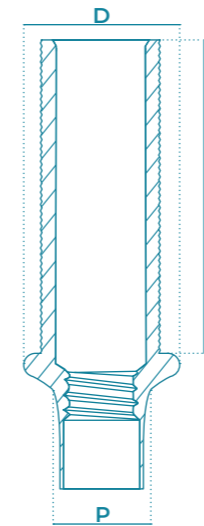
ANTI ROTATIONAL CASTABLE ABUTMENTS

For constructing prosthetic restoration. Provide excellent grip and optimal connection to the implant. Made from a very strong plastic material that retains its shape.

MATERIAL: Burn-out Plastic

PACKAGED WITH: Abutment Fixation Screw

TORQUE TIGHTENING: Mini - 20 Ncm | Regular - 30 Ncm (Recommendation)



Mini Platform		Regular Platform	
L	13mm		15.5mm
D	Ø3.5mm		Ø4mm
P	Ø2.1mm		Ø2.5mm



CODE	OS-PCW-M
------	----------



CODE	OS-PCW-R
------	----------

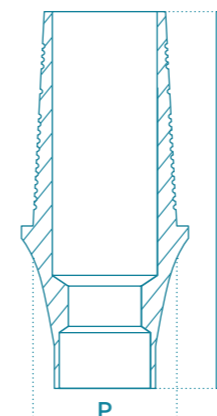
CAD/CAM TITANIUM BASE

Enables the production of an abutment that fits exactly to the anatomy of the patient's mouth. This system is used to reach high precision and aesthetic results that last longer.

MATERIAL: Ti-6Al-4V ELI (Titanium Grade 5)

PACKAGED WITH: Abutment Fixation Screw

COMPATIBLE LIBRARY: GEOMEDI



Mini Platform		Regular Platform	
L	9mm		9mm
P	Ø2.1mm		Ø2.5mm



CODE	OS-PCW-M
------	----------



CODE	OS-PCW-R
------	----------

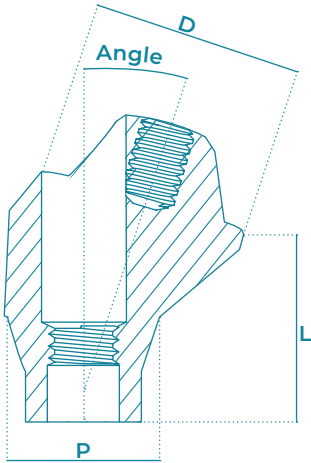
MULTI UNIT ABUTMENTS

made for implant path compensation in screw retained multiple case. The angular structure provides a key for more complex cases when implants are placed at an angle. The abutment design ensures high bio-compatibility and excellent aesthetic results.

MATERIAL: Ti-6Al-4V ELI (Titanium Grade 5)

PACKAGED WITH: Abutment Fixation Screw

TORQUE TIGHTENING: 17° - 20 Ncm | 30° - 30 Ncm (Recommendation)



Regular Platform 17°		Platform - Ø2.5mm Diameter - Ø4.8mm
L	2.5mm	3.5mm



CODE	OS-MU-17-2-R	OS-MU-17-3-R
------	--------------	--------------

Regular Platform 30°		Platform - Ø2.5mm Diameter - Ø4.8mm
L	2.5mm	3.5mm



CODE	OS-MU-30-2-R	OS-MU-30-3-R
------	--------------	--------------

COMPONENTS

Titanium Sleeve				Plastic Sleeve				Open Transfer			
D	Ø4.8mm	L	12mm	D	Ø4.8mm	L	12mm	D	Ø4.8mm	L	16mm



NM-SA
Screw is
included

OS-MU-TSL



NM-SA
Screw is
included

OS-MU-PSL



OS-MU-TOT

Closed Transfer				Analog				Healing Cap			
D	Ø4.8mm	L	12mm	D	Ø4.8mm	L	18mm	D	Ø4.8mm	L	5.2mm



NM-SA
Screw is
included

OS-MU-TCT + OS-MU-TCT-P



OS-MU-ANG



NM-SA
Screw is
included

OS-MU-HC

Screw		Abutment Handle			
L	4mm				



NM-SA

